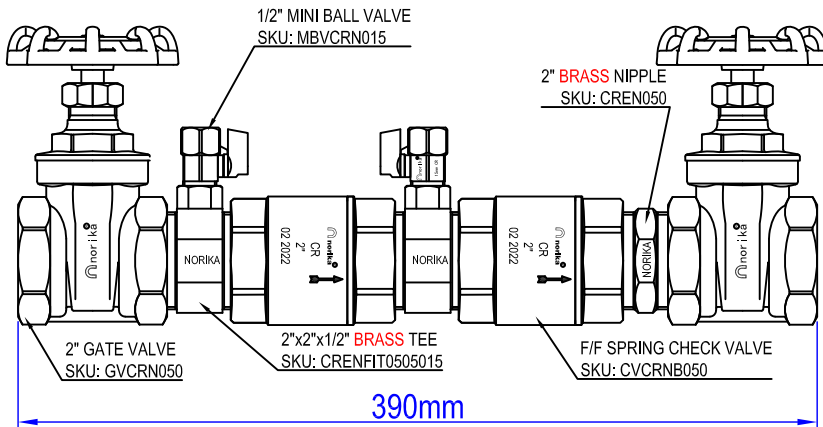
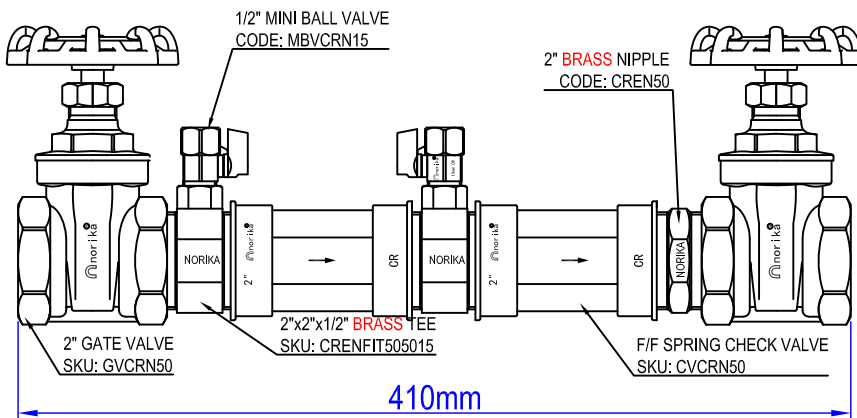


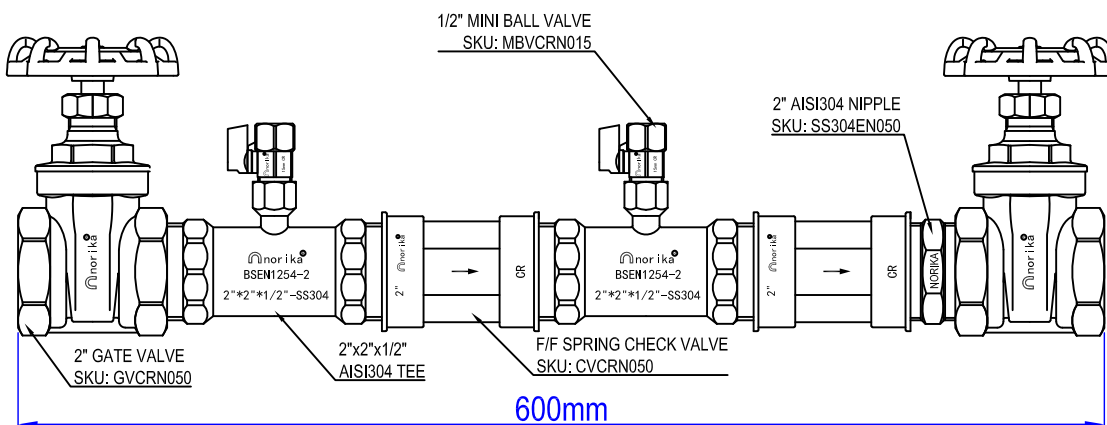
NORIKA DESIGN Third Generation (SS636:2018)



NORIKA MODIFIED DESIGN Second Generation



NORIKA MODIFIED DESIGN First Generation



FSSD ORIGINAL DESIGN